

Diaphragm shut-off valves MV3-M

spectro lab



MV3-DV-H-M-NPTF1/4



MV3-DV-PN25/100/300-M-NPTF1/4

Product features

- Brass diaphragm valves for manual or automatic (pneumatic) shut-off
 - For non corrosive gases up to quality 6.0
 - Diaphragm metal-to-metal sealed to atmosphere
 - Laboratory style design
 - Ergonomically designed
 - In- and outlet filter
 - Suitable for up to 300 bar pressure
 - Approved for use with oxygen
 - Fully functional under vacuum
 - Manual valve with position indicator
-
- Pneumatic actuator optional for 25, 100, 200 and 300 bar line pressure
 - Variable installation position
 - Position indicator

Technical data

Operation pressure max. 300 bar

Nominal diameter 4 mm

Materials

Body: chrome plated brass

Diaphragm: Hastelloy C276

Valve seat: PVDF

Filter: sintered bronze

In- / Outlet 1/4"-NPT female

Temperature range -20°C to +60°C

Leakrate (to atmosphere): $\leq 10^{-8}$ mbar l/s He
(via valve seat): $\leq 10^{-6}$ mbar l/s He

c_v-value c_v = 0,33 / 0,09*

Weight 0,5 kg

*with filter (must be installed for the use of oxygen)

Technical data pneumatic actuators

Actuator pressure 6 to 8 bar

Actuator connector for hose \varnothing 4 mm

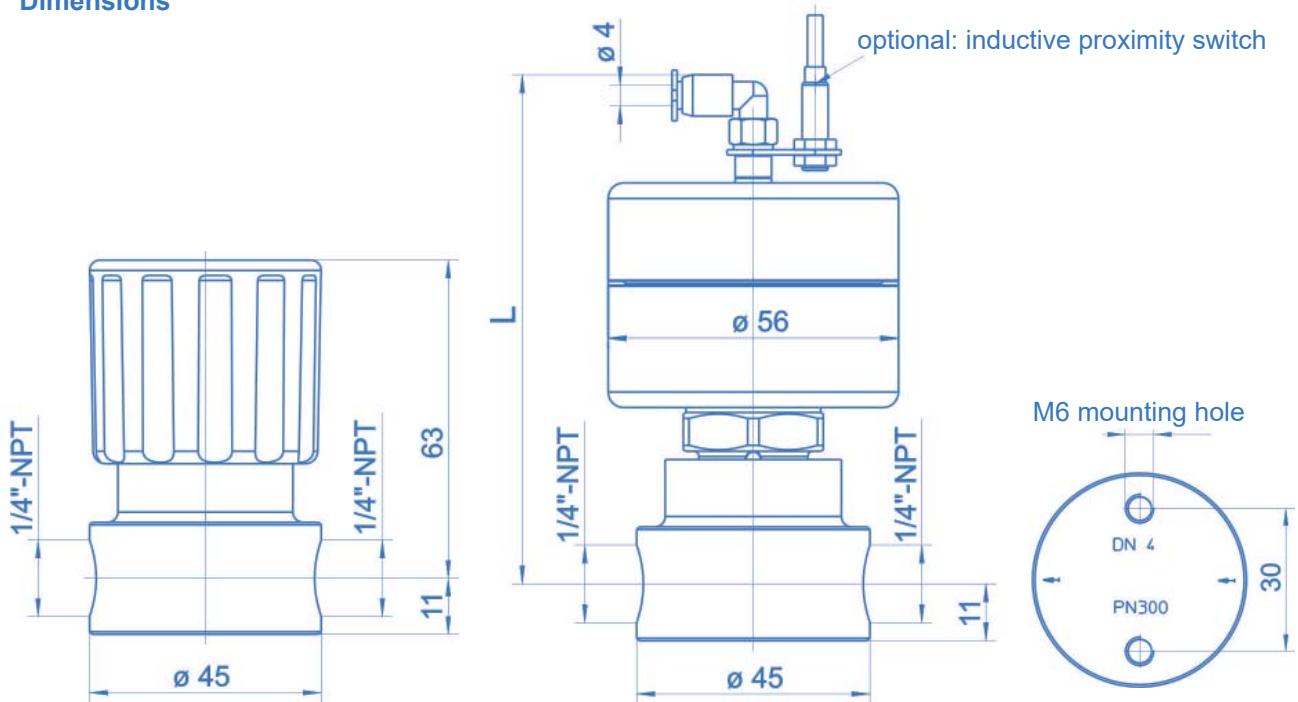
Pneumatic function
- normally closed (NC)
- normally open (NO)

Option inductive proximity switch

Diaphragm shut-off valves MV3-M

spectro lab

Dimensions



Dimensions with pneumatic actuator

Pneumatic actuator	L [mm]	
	NC	NO
PN 25	108	98
PN 100	116	106
PN 200	125	115
PN 300	142	132

Ordering information: valves series MV3-M

MV3 - DV - H - M - NPTF1/4

Type

DV globe valve (2 ports)

Other types upon request

Valve

H manual valve

PN... pneumatic actuator PN **25/100/200/300**

PNI... pneumatic actuator PN **25/100/200/300**
with inductive proximity switch

N... pneumatic actuator **NO / NC**