

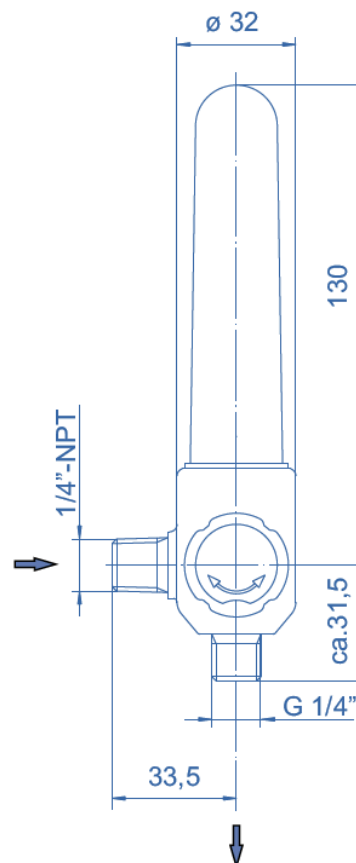
# Flowmeter FL32

spectro**tec**



Floating type flowmeter

## Dimensions



### Technische Daten

<b>Type</b>	floating type
<b>Calibration pressure</b>	1,4 / 4 bar
<b>Materials</b>	
Body:	brass
Elastomers:	FKM
Flowmeter:	glass
Protection cap:	Polycarbonate
Valve stem:	CuZn35Ni2
<b>Connectors</b>	
Inlet:	1/4"-NPT male
Outlet:	G 1/4" male
<b>Temperature range</b>	-20°C to +60°C
<b>Leak rate</b>	≤10 <sup>-4</sup> mbar l/s He
<b>Weight</b>	330 g

### Product features

- Flowmeter for non corrosive technical gases
- Suitable e.g. for tapping points to dose shielding or forming gases
- Flow ranges: 1...50 l/min.

Ordering information: Flowmeter FL32

**FL32 - 4- Ar/CO2 - 16**

#### Calibration pressure

<b>1,4</b>	1,4 bar
<b>4,0</b>	4,0 bar

#### Type of gas + flow range

<b>Ar - 5</b>	1-5 l/min. (for 1,4 bar)
<b>Ar/CO2 - 16</b>	2-16 l/min. (for 4 bar)
<b>N2 - 16</b>	2-16 l/min. (for 4 bar)
<b>Ar/H2 - 16</b>	2-16 l/min. (for 4 bar)
<b>Forming gas- 30</b>	5-30 l/min. (for 4 bar)
<b>Ar/CO2 - 35</b>	5-35 l/min. (for 4 bar)
<b>N2 - 45</b>	10-45 l/min. (for 4 bar)
<b>H2 - 50</b>	5-50 l/min. (for 4 bar)